

GP600 series



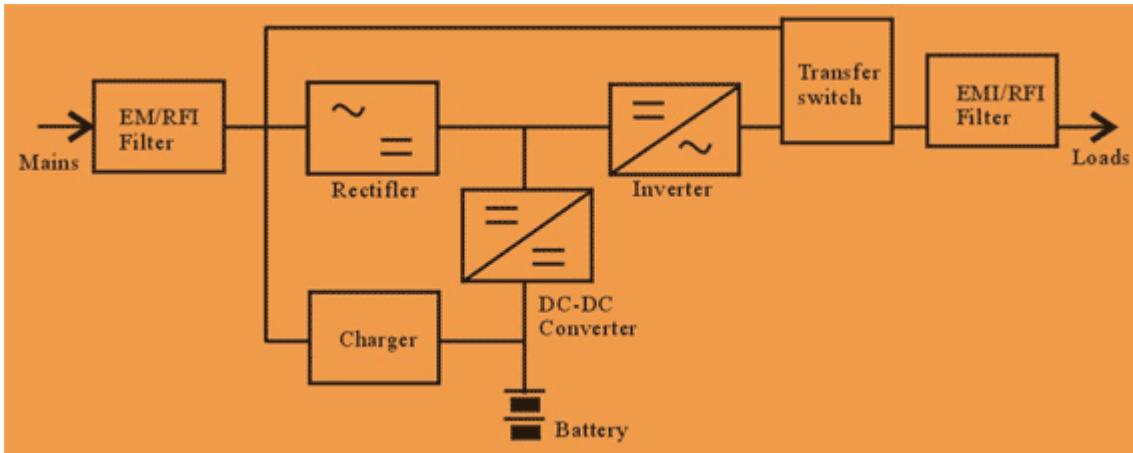
Special features:

- **Sine wave output:** Always protect the loads with best power by supplying the loads with low-distortion sine wave power in either event of mains or battery.
- **Zero transfer time:** The time when UPS transfer between mains and battery is zero. When mains fails or recovers, highly increase the reliability.
- **Dual redundant :** It's the just one if power failure is seriously prohibitive for critical loads, The UPS above 6KVA can support dual redundant operation, one is the master, The other is slave. When one UPS fail, the other begin to work automatically, which highly reduce the risk of power failure.
- **Input PFC:** GP600 series UPS have input PFC. The PFC can up to 0.98 when full load.
- **Anti-interference:** UPS design accordance with international standard EN50091-2 special for anti radiation interference.
- **Go with Generator:** The UPS can work with most brand generators, since have wide input. Voltage and frequency range. It lengthens operation time of UPS, also remove the bad electricity of generator, and hence supply the load with purity, safety, reliable power.
- **Highly intelligent:** GP600 series UPS built is intelligent slot and RS232 port. By installing SNMP card going with monitor software, user can monitor from the screen the condition of mains and UPS do network management via internet.
- **Self protection:** Well considerable self-protection designs protect UPS from over-load, short-circuit, low voltage or high temperature.
- **Long back up time model:** Can add the quantity of battery according to live need to lengthen back up time, specially suitable for the site where power is lack.

Application:

- **IDC digital equipment:** server.
- **Medical sector:** B supersonic.
- **Stock Exchange:** LCD screen, controller in exchange centre
- **Industrial equipment:** SMT, welding machine.
- **Other equipment:** Defence and super market.

Operation principle:



The UPS adopt digital control and bring PWM sine wave and control signal, Using 50khz IGBT high frequency isolation technology, to fulfill isolation without extra transformer, it considerably reduces circuit-loop protection circuit, strong ability of anti inrush and short-circuit acceptable.